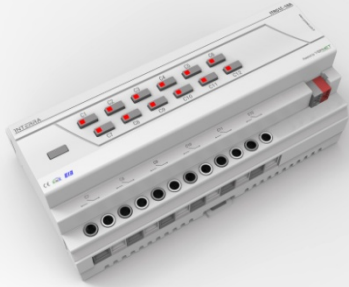


COMBO MODULE ITR5XX SERIES



TECHNICAL DATA

Device*	ITR5XX-16A
Power Supply	EIB Power Supply
Power Consumption	Maximum 0.3W
Number of outputs	4, 8, 12, 16, 20 or 24
Output Current	16A@250VAC, 100A inrush
Mode of commissioning	S-Mode
Type of protection	IP 20
Temperature Range	Operation (- 10°C ...70 °C) Storage (- 25°C ...100 °C)
Maximum air humidity	<90 RH
Flammability	Non-flammable product
Mounting	DIN Rail
Dimensions	4 / 8 outs 105x90x64 mm (WxHxD) → 6 DIN units 12 / 16 outs 171x90x64 mm (WxHxD) → 10 DIN units 20 / 24 outs 274x90x64 mm (WxHxD) → 15 DIN units
Certification	EIB-Certified

*XX=4, 8, 12, 16, 20 or 24.



The combo actuator is a KNX certified device available with 4, 8, 12, 16, 20 and 24 channels.

Modules are supplied over KNX bus and do not need any other external power supply.

The communication of the devices via the KNX bus enables information exchanges with KNX sensors and the integration with a building management system.

Outputs of combo module can be configured to different functionalities depending on the project needs, therefore supports many combinations.

CONFIGURATION

The complete configuration of the device is performed via ETS3 or higher.

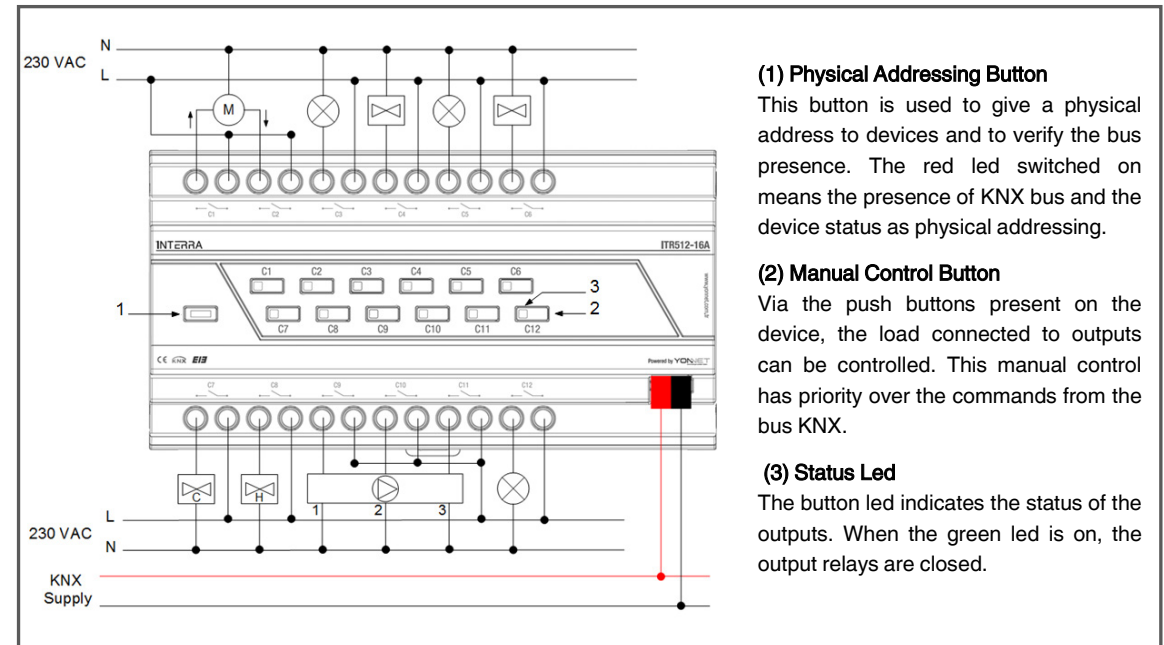
Depending on the ETS configuration and settings the product feature will be different.

FUNCTIONS

- Lighting.
- Heating.
- Shutter and Blind.
- Shutter and Blind 24V.
- Fan Coil 2 pipes.
- Fan Coil 4 pipes.

The functionalities for each output include among other things timing functions, logic gates, scenes, disabling function, forced, working hours counter, periodical monitoring and different configurations for feedback telegrams.

Last situation memory against power failure.



(1) Physical Addressing Button

This button is used to give a physical address to devices and to verify the bus presence. The red led switched on means the presence of KNX bus and the device status as physical addressing.

(2) Manual Control Button

Via the push buttons present on the device, the load connected to outputs can be controlled. This manual control has priority over the commands from the bus KNX.

(3) Status Led

The button led indicates the status of the outputs. When the green led is on, the output relays are closed.